

I/O module - AXL SE DI16/1 NPN - 1105559

Please be informed that the data shown in this PDF Document is generated from our Online Catalog. Please find the complete data in the user's documentation. Our General Terms of Use for Downloads are valid (<http://phoenixcontact.com/download>)



Axioline Smart Elements, Digital input module, Digital inputs: 16 (NPN), 24 V DC, connection technology: 1-conductor, degree of protection: IP20

Product Description


You can integrate Axioline Smart Elements into systems with the Smart Element interface. This Smart Element detects digital signals.

Your advantages

- 16 digital inputs, NPN-wired
- Nominal voltage: 24 V DC
- Nominal current: 2.4 mA
- Connection of sensors in 1-conductor technology
- Filter time of < 1 ms
- Device rating plate stored



Key Commercial Data

Packing unit	1 pc
GTIN	 4 055626 989006
GTIN	4055626989006
Weight per Piece (excluding packing)	40.000 g
Custom tariff number	85389091
Country of origin	Germany

Technical data

Note

I/O module - AXL SE DI16/1 NPN - 1105559

Technical data

Note

Utilization restriction	EMC: class A product, see manufacturer's declaration in the download area
-------------------------	---

Dimensions

Caption	Dimensions
Width	14.9 mm
Height	62.2 mm
Depth	62 mm

Ambient conditions

Ambient temperature (operation)	-25 °C ... 60 °C
Ambient temperature (storage/transport)	-40 °C ... 85 °C
Permissible humidity (operation)	5 % ... 95 % (non-condensing)
Permissible humidity (storage/transport)	5 % ... 95 % (non-condensing)
Air pressure (operation)	70 kPa ... 106 kPa (up to 3000 m above sea level)
Air pressure (storage/transport)	70 kPa ... 106 kPa (up to 3000 m above sea level)
Degree of protection	IP20

Connection data

Designation	I/O
Connection method	Push-in connection
Note on the connection method	Please observe the information provided on conductor cross sections in the "Axioline Smart Elements" user manual.
Conductor cross section solid min.	0.25 mm ²
Conductor cross section solid max.	1.5 mm ²
Conductor cross section flexible min.	0.25 mm ²
Conductor cross section flexible max.	1.5 mm ²
Conductor cross section AWG min.	24
Conductor cross section AWG max.	16
Conductor cross section, flexible, with ferrule, with plastic sleeve	0.25 mm ² ... 1.5 mm ²
Conductor cross section flexible, with ferrule without plastic sleeve	0.25 mm ² ... 1.5 mm ²
Stripping length	8 mm

General

Mounting type	Smart Element slot
Color	traffic grey A RAL 7042
Net weight	35 g
Degree of pollution	2 (EN 60664-1)
Mounting position	See the system in which the Smart Element is used.

Axioline potentials

I/O module - AXL SE DI16/1 NPN - 1105559

Technical data

Axioline potentials

Designation	Communications power supply of the Smart Elements (U_{SE})
Additional text	using card edge connectors
Current consumption	max. 40 mA
Designation	I/O supply (U_P)
Supply voltage	24 V DC (using card edge connectors)
Supply voltage range	19.2 V DC ... 30 V DC (including all tolerances, including ripple)
Current consumption	min. 15 mA (without connected peripherals)
	max. 40 mA
Power consumption	min. 340 mW
	max. 960 mW
Protective circuit	Surge protection See the system in which the Smart Element is used.
	Reverse polarity protection Polarity protection diode
Protection	See the system in which the Smart Element is used.

Digital inputs

Input name	Digital inputs
Description of the input	Based on EN 61131-2 type 3 for PNP inputs
Connection method	Push-in connection
Connection technology	1-conductor
Number of inputs	16 (NPN)
Protective circuit	Polarity reversal protection of the inputs Diode
Nominal input voltage U_{IN}	24 V DC
Nominal input current at U_{IN}	2.4 mA
Input filter time	< 1 ms
Input voltage range "0" signal	19 V DC ... 30 V DC (At $U_P = 24$ V DC)
Input voltage range "1" signal	0 V DC ... 13 V DC (At $U_P = 24$ V DC)

Electrical isolation

Test section	Communications supply / 24 V supply (I/O) 500 V AC 50 Hz 1 min.
	Communications supply / functional ground 500 V AC 50 Hz 1 min.
	24 V supply (I/O) / functional ground 500 V AC 50 Hz 1 min.

Standards and Regulations

Immunity to ESD	Immunity test in accordance with EN 61000-6-2/IEC 61000-6-2 Electrostatic discharge (ESD) EN 61000-4-2/IEC 61000-4-2 Criterion B, 6 kV contact discharge, 8 kV air discharge
Immunity to EF	Immunity test in accordance with EN 61000-6-2/IEC 61000-6-2 Electromagnetic fields EN 61000-4-3/IEC 61000-4-3 Criterion A, Field intensity: 10 V/m

I/O module - AXL SE DI16/1 NPN - 1105559

Technical data

Standards and Regulations

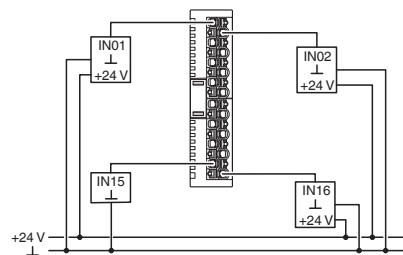
Immunity to burst	Immunity test in accordance with EN 61000-6-2/IEC 61000-6-2 Fast transients (burst) EN 61000-4-4/IEC 61000-4-4 Criterion B, 2 kV
Immunity to surge	Immunity test in accordance with EN 61000-6-2/IEC 61000-6-2 Transient overvoltage (surge) EN 61000-4-5/IEC 61000-4-5 Criterion B, I/O cables: ±1 kV asymmetrical
Immunity to conducted interference	Immunity test in accordance with EN 61000-6-2/IEC 61000-6-2 Conducted interference EN 61000-4-6/IEC 61000-4-6 Criterion A, Test voltage 10 V
Interference emission	Noise emission test in accordance with EN 61000-6-4/IEC 61000-6-4 Class A
Mechanical tests	Vibration resistance in acc. with EN 60068-2-6/IEC 60068-2-6 5g
	Shock in acc. with EN 60068-2-27/IEC 60068-2-27 30g
	Continuous shock according to EN 60068-2-27/IEC 60068-2-27 10g
Protection class	III (IEC 61140, EN 61140, VDE 0140-1)
Overvoltage category	II (IEC 60664-1)

Environmental Product Compliance

China RoHS	Environmentally Friendly Use Period = 50 years
	For details about hazardous substances go to tab "Downloads", Category "Manufacturer's declaration"

Drawings

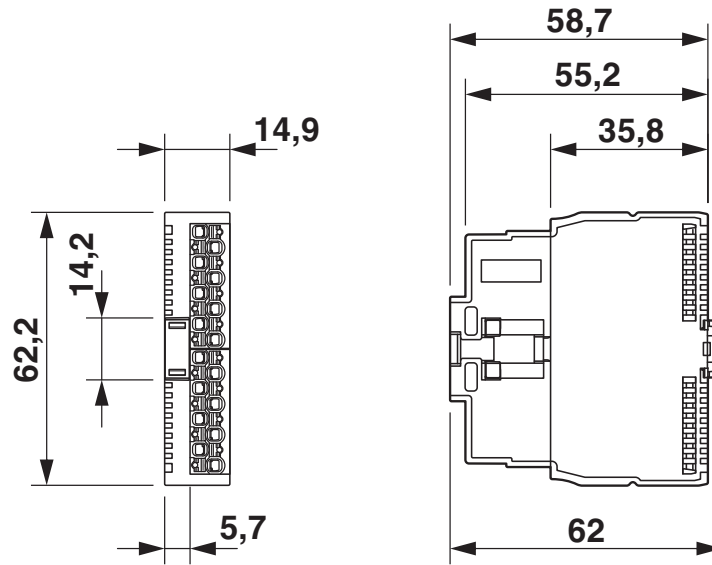
Connection diagram



Connection example

I/O module - AXL SE DI16/1 NPN - 1105559

Dimensional drawing



Dimensions

Classifications

eCl@ss

eCl@ss 10.0.1	27242604
eCl@ss 11.0	27242604
eCl@ss 9.0	27242604

ETIM

ETIM 7.0	EC001599
----------	----------

UNSPSC

UNSPSC 18.0	32151602
UNSPSC 19.0	32151602
UNSPSC 20.0	32151602
UNSPSC 21.0	32151602

Accessories

- Accessories
- Crimping tool

I/O module - AXL SE DI16/1 NPN - 1105559

Accessories

Crimping pliers - CRIMPFOX 6 - 1212034



Crimping pliers, for ferrules without insulating collar according to DIN 46228 Part 1 and ferrules with insulating collar according to DIN 46228 Part 4, 0.25 mm² ... 6.0 mm², lateral entry, trapezoidal crimp

Crimping pliers - CRIMPFOX DUO 10 - 1031721



Crimping pliers, type of contact: Insulated and uninsulated ferrules, min. cross section: 0.14 mm², max. cross section: 10 mm², for TWIN ferrules up to 2 x 4 mm², automatic cross section adjustment, rotating die, lateral and frontal insertion, compression: Trapezoidal crimp, black/green

Crimping pliers - CRIMPFOX 10T-F - 1134913



Crimping pliers, type of contact: Insulated and uninsulated ferrules, standards/specifications: DIN 46228-1, DIN 46228-4, min. cross section: 0.14 mm², max. cross section: 10 mm², For TWIN ferrules up to 2 x 4 mm², automatic cross section adjustment, frontal insertion, compression: Trapezoidal crimp, black

I/O component

Module carrier - AXL F BP SE4 - 1088135



Axioline F, Backplane, 4 slots for Axioline Smart Elements, transmission speed in the local bus: 100 Mbps, degree of protection: IP20

Module carrier - AXL F BP SE6 - 1088136



Axioline F, Backplane, 6 slots for Axioline Smart Elements, transmission speed in the local bus: 100 Mbps, degree of protection: IP20

I/O module - AXL SE DI16/1 NPN - 1105559

Accessories

Screwdriver tools

Screwdriver - SZS 0,4X2,5 VDE - 1205037



Screwdriver, slot-headed, VDE insulated, size: 0.4 x 2.5 x 80 mm, 2-component grip, with non-slip grip

System cable

Round cable - VIP-CAB-FLK14/AXIO/0,14/0,5M - 2901604



Round cable set; controller: Axioline Realtime I/O; connection 1: Single wires (8-position) (The wires are marked and fitted with ferrules); connection 2: IDC/FLK socket strip (1x 14-position, 90 °-out put); cable length: 0.5 m

Round cable - VIP-CAB-FLK14/AXIO/0,14/1,0M - 2901605



Round cable set; controller: Axioline Realtime I/O; connection 1: Single wires (8-position) (The wires are marked and fitted with ferrules); connection 2: IDC/FLK socket strip (1x 14-position, 90 °-out put); cable length: 1 m

Round cable - VIP-CAB-FLK14/AXIO/0,14/1,5M - 2901606



Round cable set; controller: Axioline Realtime I/O; connection 1: Single wires (8-position) (The wires are marked and fitted with ferrules); connection 2: IDC/FLK socket strip (1x 14-position, 90 °-out put); cable length: 1.5 m

Round cable - VIP-CAB-FLK14/AXIO/0,14/2,0M - 2901607



Round cable set; controller: Axioline Realtime I/O; connection 1: Single wires (8-position) (The wires are marked and fitted with ferrules); connection 2: IDC/FLK socket strip (1x 14-position, 90 °-out put); cable length: 2 m

I/O module - AXL SE DI16/1 NPN - 1105559

Accessories

Round cable - VIP-CAB-FLK14/AXIO/0,14/2,5M - 2901608



Round cable set; controller: Axioline Realtime I/O; connection 1: Single wires (8-position) (The wires are marked and fitted with ferrules); connection 2: IDC/FLK socket strip (1x 14-position, 90 °-out put); cable length: 2.5 m

Round cable - VIP-CAB-FLK14/AXIO/0,14/3,0M - 2901609



Round cable set; controller: Axioline Realtime I/O; connection 1: Single wires (8-position) (The wires are marked and fitted with ferrules); connection 2: IDC/FLK socket strip (1x 14-position, 90 °-out put); cable length: 3 m

Round cable - VIP-CAB-FLK14/AXIO/0,14/4,0M - 2901610



Round cable set; controller: Axioline Realtime I/O; connection 1: Single wires (8-position) (The wires are marked and fitted with ferrules); connection 2: IDC/FLK socket strip (1x 14-position, 90 °-out put); cable length: 4 m

Round cable - VIP-CAB-FLK14/AXIO/0,14/6,0M - 2901611



Round cable set; controller: Axioline Realtime I/O; connection 1: Single wires (8-position) (The wires are marked and fitted with ferrules); connection 2: IDC/FLK socket strip (1x 14-position, 90 °-out put); cable length: 6 m

Terminal marking

Label - MM-TML (EX4,2)R C1 TR/BK - 0803979



Label, Roll, transparent, unlabeled, can be labeled with: THERMOFOX, THERMOMARK GO, THERMOMARK GO.K, mounting type: adhesive, for terminal block width: 8000 mm, lettering field size: continuous x 3.2 mm

I/O module - AXL SE DI16/1 NPN - 1105559

Accessories

Marker strip - SK 5,0 WH:REEL - 0805221



Marker strip, Roll, white, unlabeled, can be labeled with: THERMOMARK ROLL 2.0, THERMOMARK ROLL, THERMOMARK ROLL X1, THERMOMARK ROLLMASTER 300/600, THERMOMARK X1.2, mounting type: adhesive, for terminal block width: 5 mm, lettering field size: continuous x 5 mm, Number of individual labels: 90000

Marker for terminal blocks - UM6M-TM (5X12) - 0830928



Markers for marking terminal blocks from ABB/Entelec, 24-section, unmarked, can be marked with THERMOMARK CARD and BLUEMARK, color: white

Marker for terminal blocks from the SNK series from ABB - UCT6M-TM 5 - 0830756



Marker for terminal blocks from the SNK series from ABB, Sheet, white, unlabeled, can be labeled with: THERMOMARK CARD, THERMOMARK CARD 2.0, THERMOMARK PRIME, BLUEMARK ID, BLUEMARK ID COLOR, TOPMARK LASER, TOPMARK NEO, for terminal block width: 5.2 mm, lettering field size: 4.17 x 11.3 mm